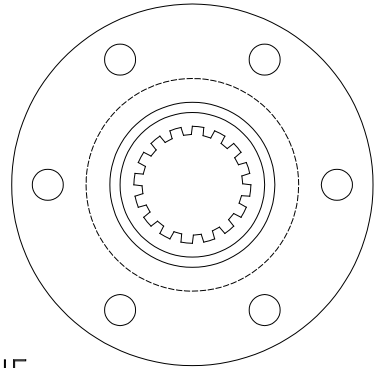
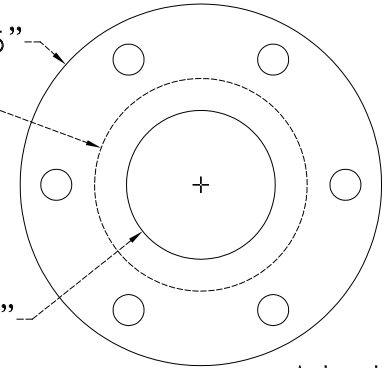


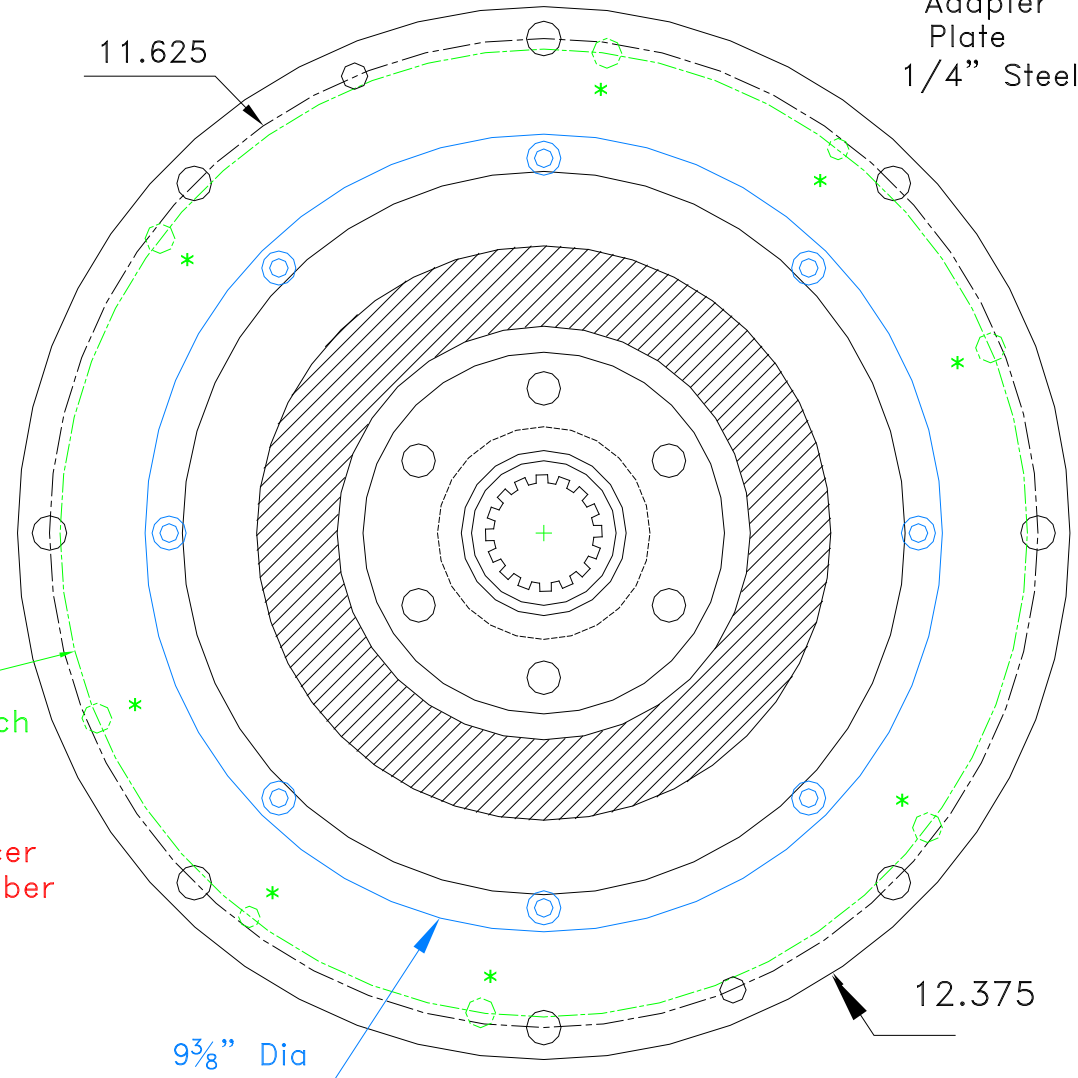
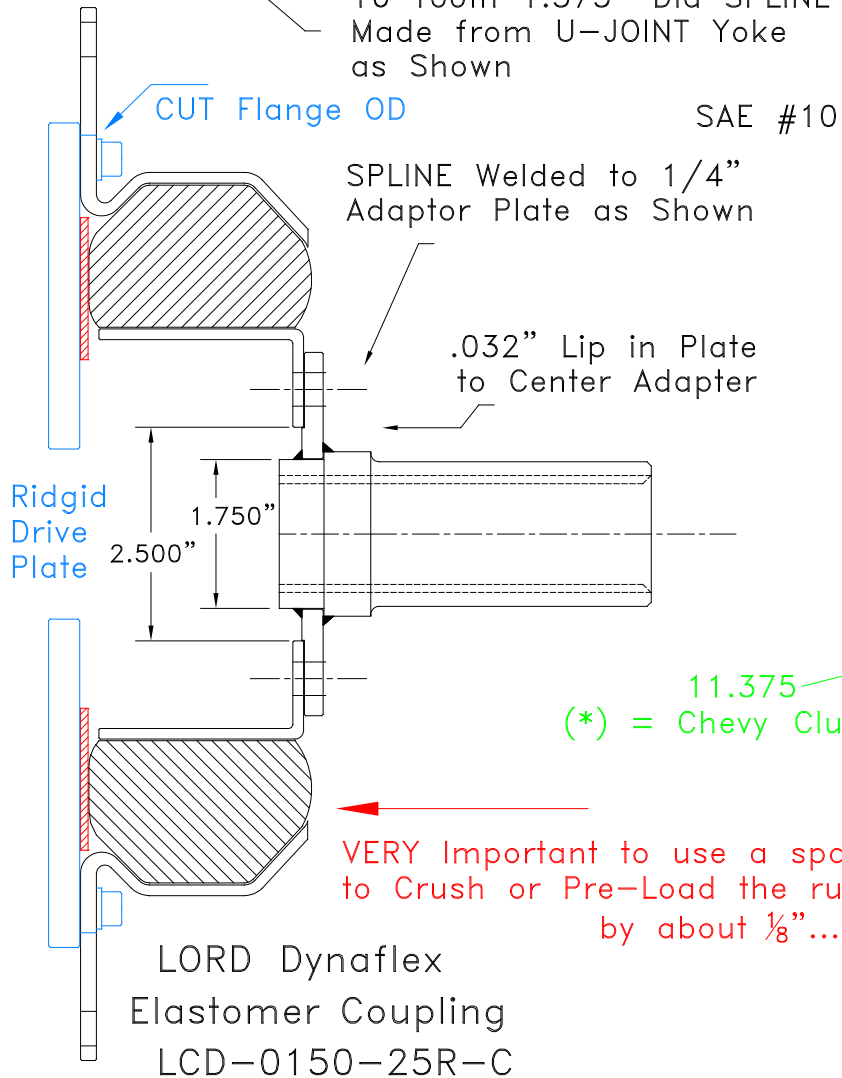
16 Tooth 1.375" Dia SPLINE
Made from U-JOINT Yoke
as Shown



.394" Holes
ON 3.400 Dia
6 Places



Adapter Plate
1/4" Steel



VERY Important to use a spacer
to Crush or Pre-Load the rubber
by about 1/8"...